

Aftercare



- Protect the plant from further animal and strimmer damage.
(See our range plant care products - rabbit and strimmer guards).
- To avoid competition for water and nutrients provide a weed- free circle of 1 Metre diameter around the plant. This can be achieved with herbicide or mulch, and should continue for two years after planting.
- Check the plant occasionally.
- When watering give the plant sufficient water to soak down to the roots
(See our range plant care products - watering system).
- If it has rocked in the wind, firm the base or supply additional support.
- Prune off any damaged or diseased parts.
- Prune off any Rootstock growth.
- Loosen tree ties as the stem thickens.

About us



Landcare was founded in 1976 and over the years has built up a reputation for quality trees and shrubs.

Our Nursery covers 8 acres on the outskirts of Old Sodbury in South Gloucestershire.

Our dedicated team works hard to maintain the excellent service and quality that has made us a major tree planting company throughout Gloucestershire, North Wiltshire, Bath, West Wiltshire and Bristol.

We Supply:

Native trees and shrubs.

Hedging plants.

Ornamental pot grown trees and shrubs.

Larger specimen plants for immediate impact.

Fruit trees.

Herbaceous plants

A wide range of wild flowers.

Bare root stock - trees and hedging.

Planting sundries (stakes, tree guards, tree ties, peat free compost and bark).

Fencing materials.

A full planting service



Countryside planting, soft landscaping for commercial properties and large residential sites.
Delivery of trees, shrubs and materials within a 50 mile radius of Old Sodbury.

Landcare Tree Nursery

Old Sodbury



Double staked



Street tree



Watering system &
Strimmer guard

Our range of Tree Guards are supplied and installed by our own dedicated team.
In addition to the guards see our range of planting sundries for full protection of your trees.

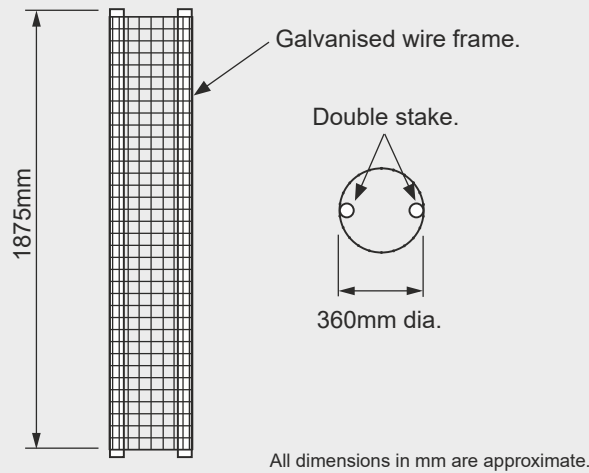
**Tree Guards
for
Street, Urban, Parkland and Fields**

www.landcaretrees.co.uk

Landcare Weldmesh Guard - Street and Urban



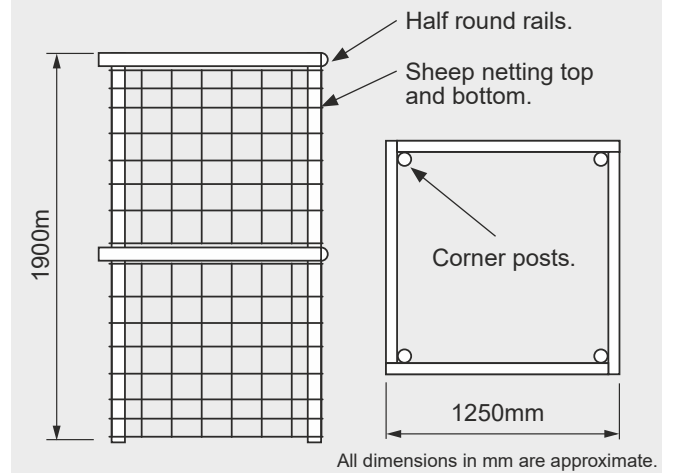
Landcare tree guard is made from galvanised weldmesh double staked for added strength, used mainly for street and urban planting.



Centre Field Guard - Parkland and Field



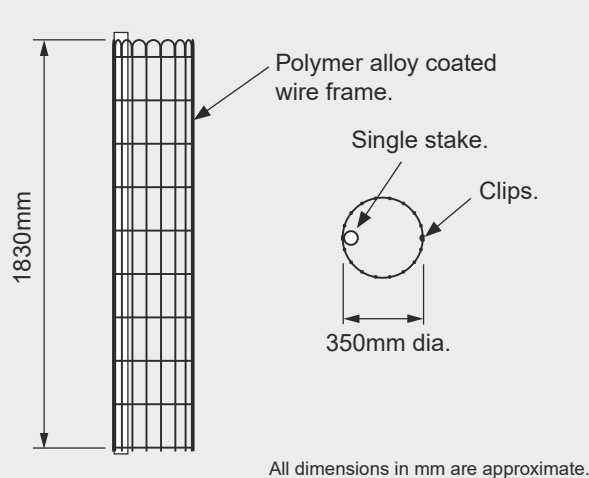
A large tree shelter for Parkland and fields where animals may be present. All wood construction wrapped in sheep netting.



Arbortech Guard - Street and Urban



A tree guard made from welded steel with a black polymer alloy coating used extensively for street and urban planting



Triangular Guard - Parkland and Field



A smaller tree guard for Parkland and fields where animals may be present. All wood construction, triangular in shape using 3 corner posts.

